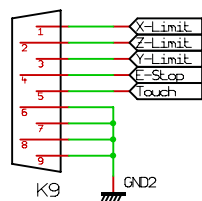
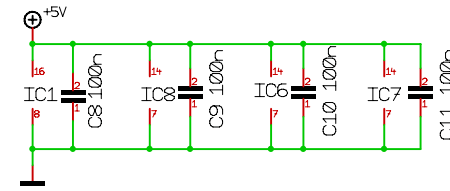
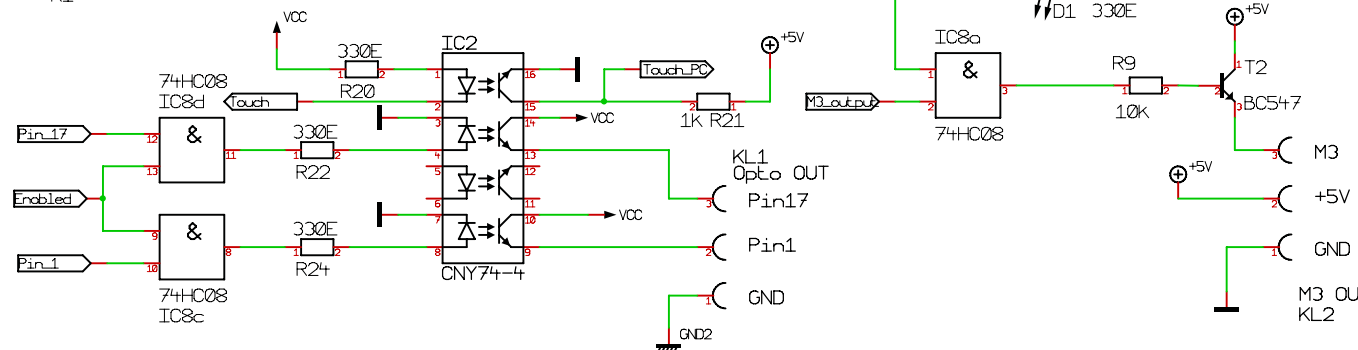
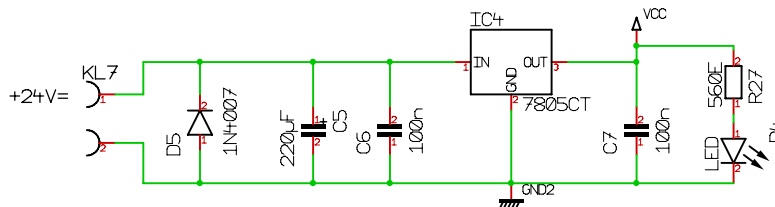
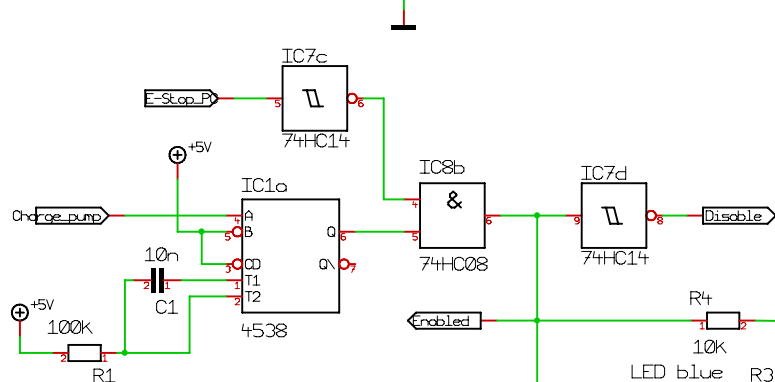
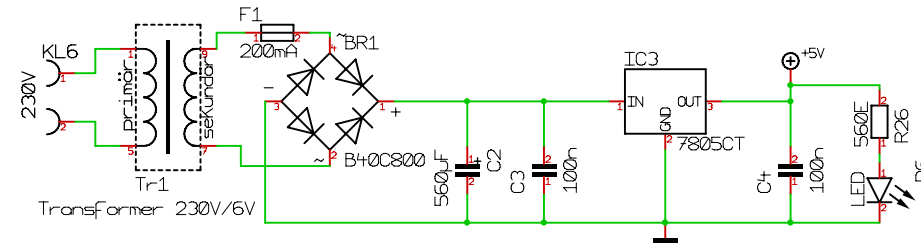
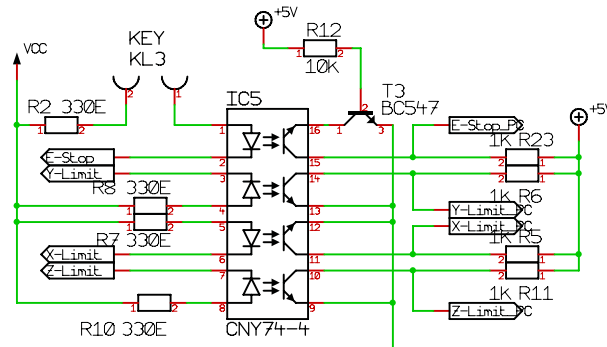
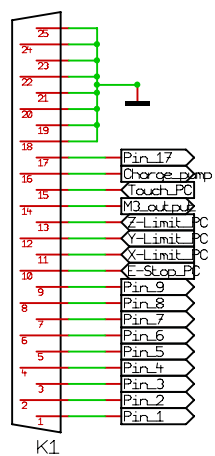


SUB-D9



SUB-D25



Gecko CNC stepper interface  
P. Guns 17-04-07